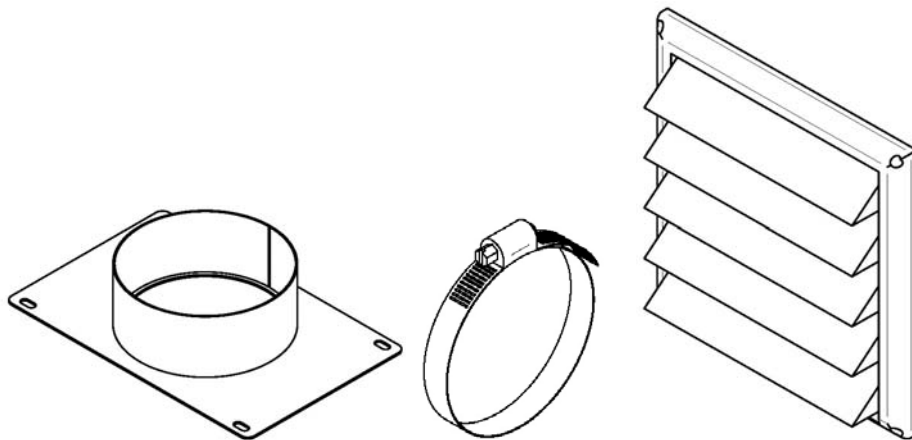




**PEDESTAL WOOD STOVE
FRESH AIR ADAPTER KIT**

AC01336

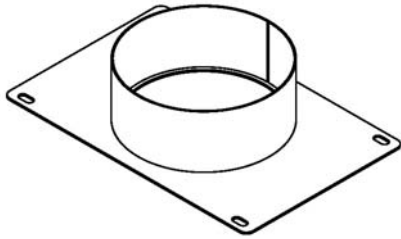
**INSTALLATION
INSTRUCTIONS**



Stove Builder International inc.
250, rue de Copenhague
Saint-Augustin-de-Desmaures Quebec, Canada G3A 2H3

This pedestal wood stove fresh air adapter kit contains the following parts:

5" (127 mm) ADAPTER.



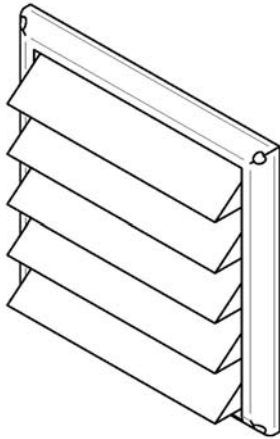
1x

BLACK METAL SCREW #10 X 1/2" TYPE "A"
PAN QUADREX



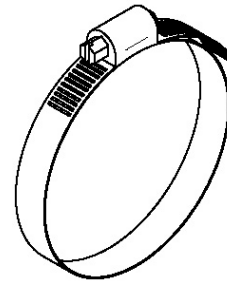
4x

5" (127 mm) INTAKE CAP



1x

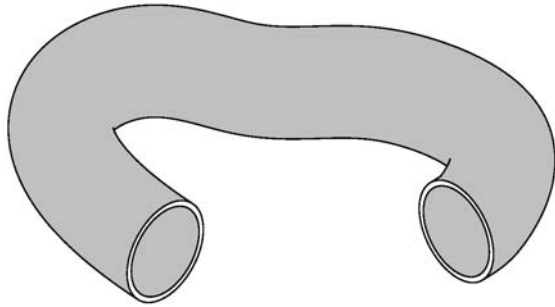
COLLAR (4.93" TO 5.75")



2x

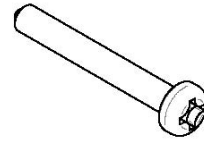
Other required parts (not included):

FLEXIBLE INSULATED FRESH AIR INTAKE
PIPE (4' LENGTH / 5" DIAMETER)
AC02090



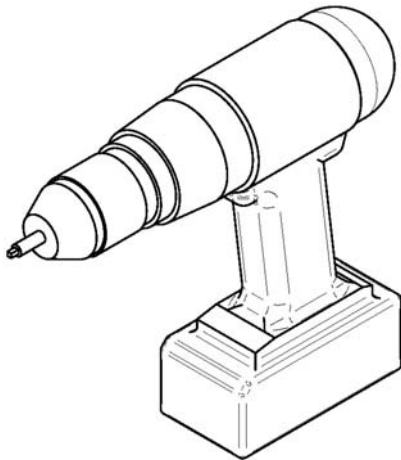
1x

SCREWS FOR INTAKE CAP

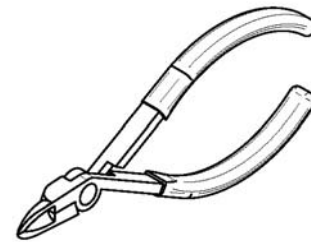


4x

Tools required for installation:



POWERED DRIVER



CUTTING PLIERS

Note:

5" flexible insulated pipe is not included because the length of pipe needed may vary from an installation to another. A 5" (127mm) diameter X 4' (1.2 m) flexible insulated pipe is available under part # AC02090.

WARNING: TERMINATION MUST BE INSTALLED OUTSIDE OF THE BUILDING.

Installation

When combustion air is taken from outside, you can bring it directly to the pedestal or near the unit. In the second configuration we recommend that the distance between the air intake and the pedestal does not exceed 5' (1.52 m).

Here are two typical methods to bring fresh air into the unit. Consult the owner's manual of your appliance to determine which configuration applies to and suits your installation. Only one method may apply to your unit.

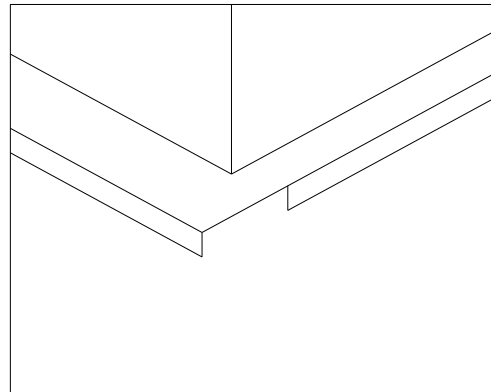
A) Installation of a fresh air intake from the wall to the back of the pedestal

B) Installation of a fresh air intake from the floor to the base of the pedestal

Note:

When using configuration **A** or **B**: make sure that there are no gaps between the pedestal base and the flooring. If any, they should be sealed with extra insulation. This is especially important with models where the pedestal flanges are open at the base of the pedestal, as shown on this figure.

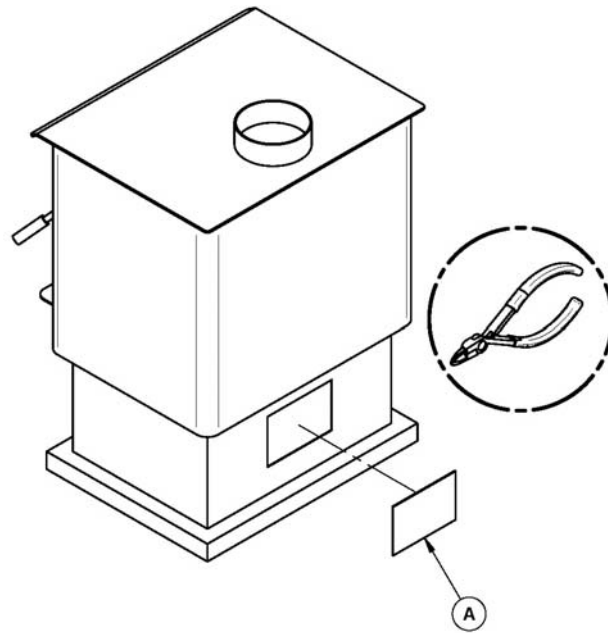
Periodically inspect the outside air intake system to make sure it is not obstructed. One evident sign of air restriction or obstruction is to see smothering effect when burning kindling with the door closed.



A) Installation of a fresh air intake from the wall to the back of the pedestal

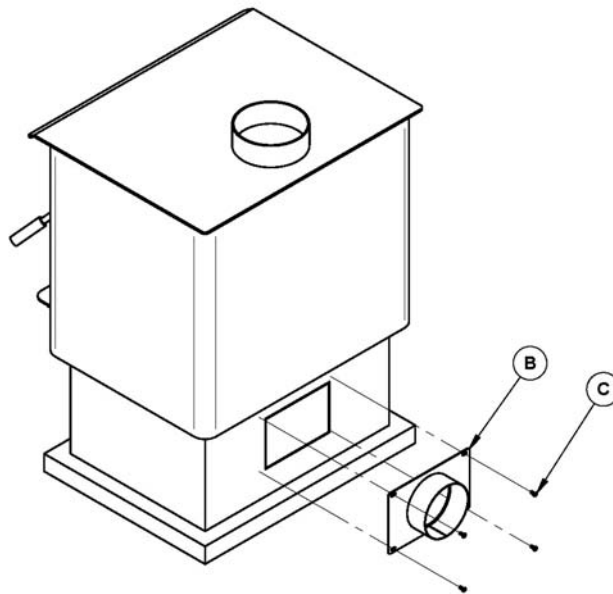
Step 1:

Using cutting pliers, remove the micro-jointed air intake plate from the rear of the pedestal.



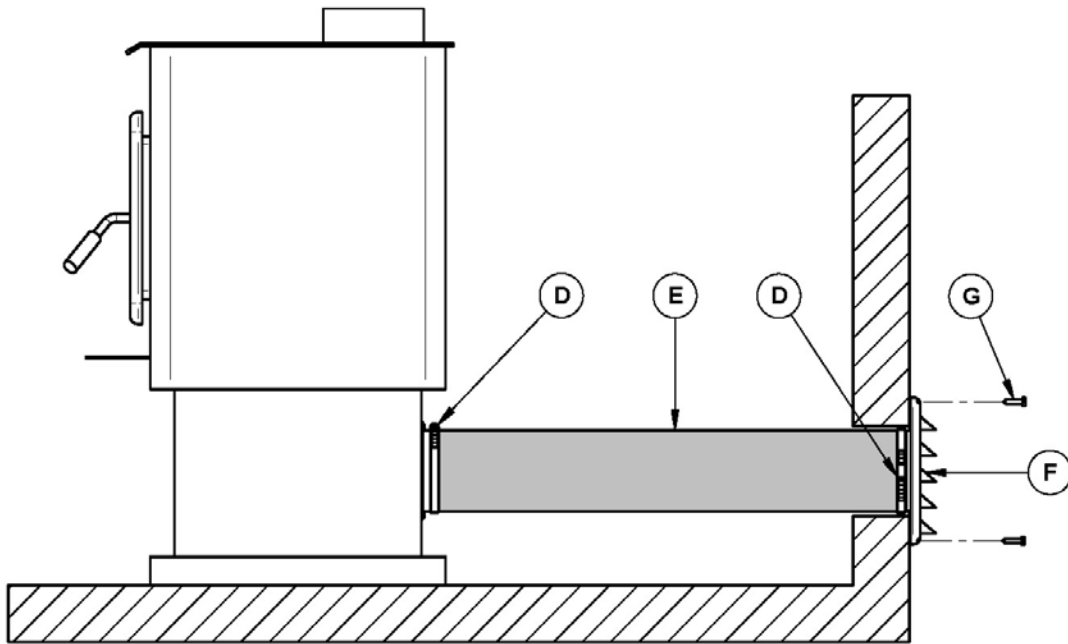
Step 2:

Using a powered driver, secure the air intake adapter (B) to the rear of the pedestal with 4 screws (C)



Step 3:

Make a 6" x 6" (152 mm x 152 mm) opening in the exterior wall behind your stove. Attach the 5" flexible insulated pipe (E) to the fresh air adapter flange with a collar (D). Attach the other end of the pipe (E) to the intake cap (F) located outside with a collar (D). Attach the intake cap (F) to the exterior wall using four screws (G) not included in this kit.

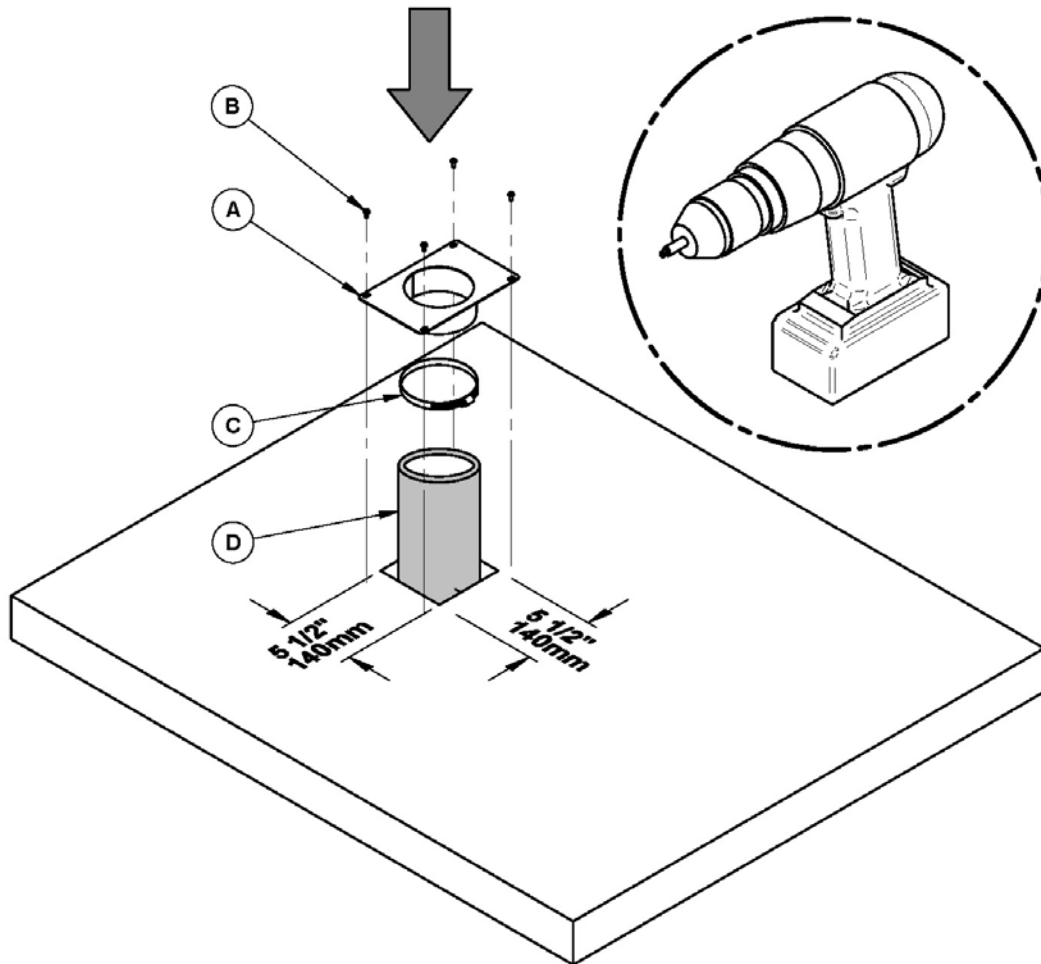


B) Installation of a fresh air intake from the floor to the base of the pedestal

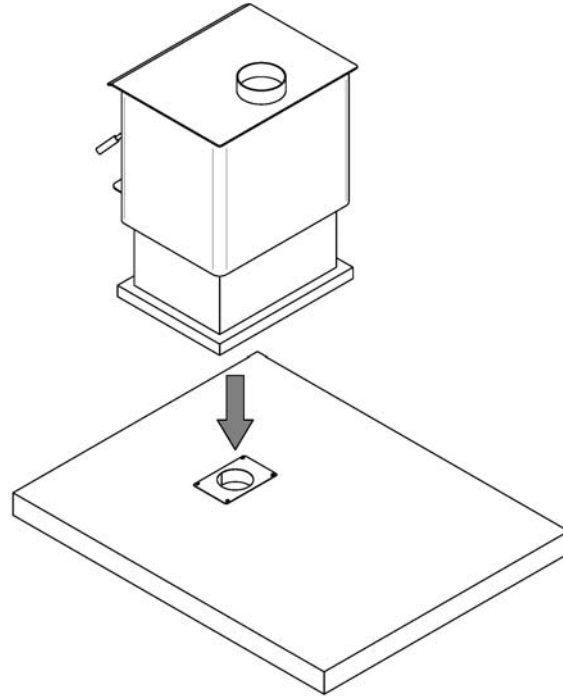
Step 1:

Determine the final location of the stove and mark the dimension of the pedestal on the floor with tape. Move the stove and perform an opening of 5 1/2 "x 5 1/2" (140 mm x 140 mm) centered in the floor under the stove.

Pass the 5" insulated flexible pipe (D) through the opening and attach the end above the floor to the fresh air adapter (A) with a collar (C). Secure the fresh air adapter (A) to the floor with four screws (B).



Step 2:
Reinstall the stove over the opening.



Step 3:
Attach the other end of the insulated flexible pipe (D) to the intake cap (E) with a collar (C). Attach the intake cap (E) to the exterior wall using 4 screws (F) not provided in this kit.

